



The PS DCS is a digital photo sensor setting a new standard in lighting control. Features two photoelectric detectors with a two lens system that allows for both closed loop and open loop daylighting control.

Included light level feature provides the option to dim and turn lights off when sufficient daylight is present for additional energy savings. The innovative light level range setting and auto commissioning application enables the designer with a precise method of controlling up to 3 lighting zones by optimizing precise light level detection in relation to the unique light level curve of the fixtures being utilized in the daylighting zones. The polarity insensitive data line bus enables multiple sensors, photo sensors, switches and fixtures to link together providing convenient code compliant solutions.

Time saving wireless commissioning is accomplished via Bluetooth connection from a Smart Phone or Tablet to a DCS Controller and then communicated to the sensor by the two wire bus providing additional convenience.

The DCS (Digital Control Solution) group of sensors are available in multiple technologies for the control of heating, ventilation and air conditioning as well as lighting.

Applications

The typical application is for offices, conference rooms, classrooms and other indoor public building spaces.

Project Name:
Location:

72504



65330



69196



Photo Sensor DCS Specifications

Item No.	72504 Photo Sensor DCS
Accessories	65330 WGC wire guard cage 69196 DCS Controller
Voltage	12 - 22.5 V (4 mA) Class 2
Device Equivalent	2
Sensing Technology	Photoelectric
Threaded Nipple Dimensions	1.07 x .83 in 27.2 x 21 mm
Dimensions	2 x 1.06 in, 53 x 27 mm
Environment	IP20 rated, 0°C to +50°C, 32°F to +122°F, indoor use only
Installation Height	8 - 40 ft / 2.5 - 12.2 m
Light Level Range	Closed loop: 3 - 300 fc Open loop: 3 - 6,000 fc
Lens Design	Open & Closed Loop
Made in	Romania
Warranty	5 years
Certifications	C-UL-US Listed, RoHS compliant, UL 2043 Plenum Rated, CA Energy Code compliant

Key Features:

- Low voltage (12 – 22.5V) digital photo sensor for use with a DCS Controller
- Two lenses and two photoelectric diodes to allow for both open & closed loop functionality
- Digital light level range selection via smart phone or tablet
- Automatic calibration that takes in to consideration the unique curve of the fixtures being used in the daylighting zone
- Wireless configuration via Steinel App
- Mounts via screws, double sided tape or 1/2" chase nipple and locknut
- Polarity insensitive 2 wire bus
- Up to 3 daylight zones per sensor when used in open loop function
- Multiple PS DCS can be connected on the data line and then assigned to individual zones
- Wireless assignment to multiple DCS controllers via BLE group assignment



Open & Closed Loop

Ceiling
Mount

Mounting

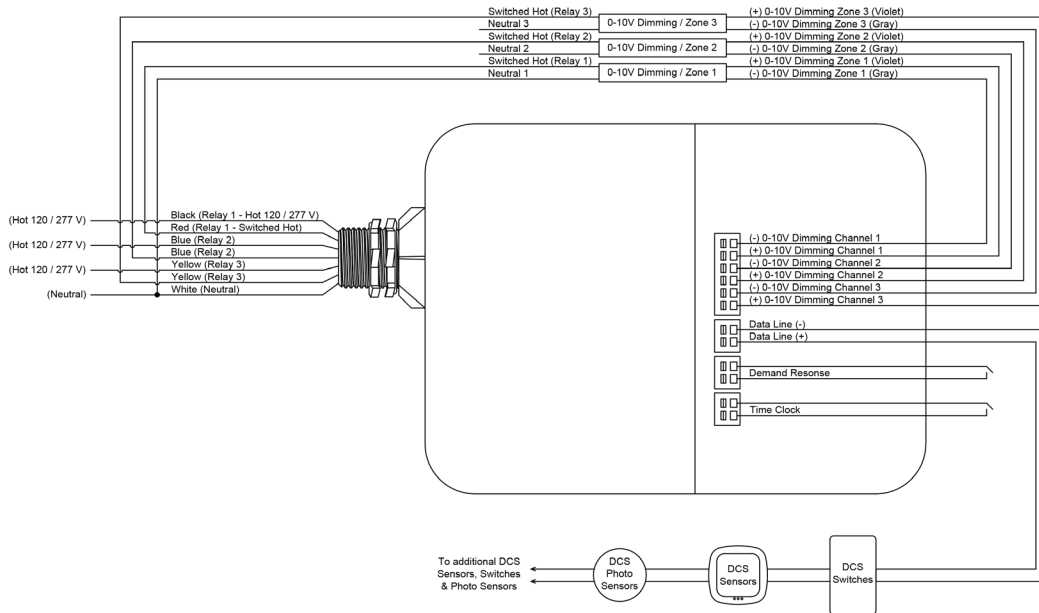


3 - 6,000 fc

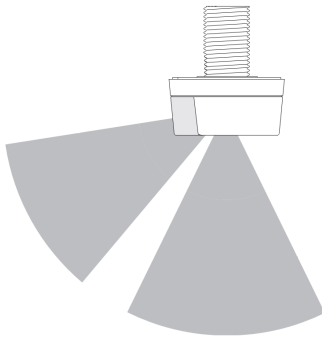
IP20

IP20 Rated

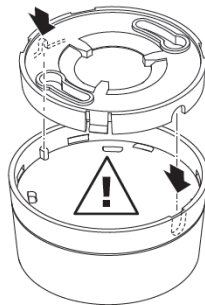
Wiring



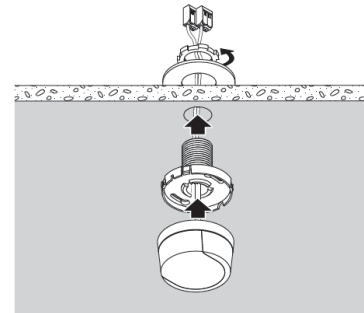
Coverage



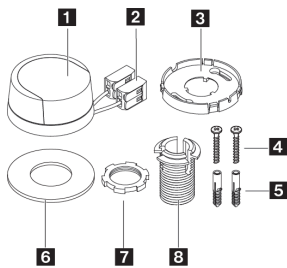
Mounting



Option 1: flush mount with nipple

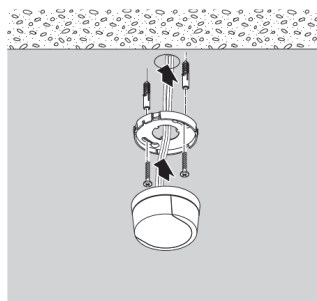


Product Overview



- 1 Photo Sensor
- 2 Wires including WAGO connectors
- 3 Backplate
- 4 Screws
- 5 Dowels
- 6 Washer
- 7 Lock nut
- 8 1/2-inch threaded chase nipple

Option 2: Surface mount with screws and concealed wires



Option 3: Surface mount with screws and surfaced wires

